

HEGOA hexapod

Compact dynamic hexapod



KEY FEATURES

- Payload capacity 50 kg
- Angular travel range $\pm 23^\circ$
- Compact height: 420 mm



APPLICATIONS

- Motion simulator
- Automotive
- Defense
- Naval
- Biomedical
- Optics



HEGOA hexapod testing the motion compensation performances of a gyro stabilized platform.

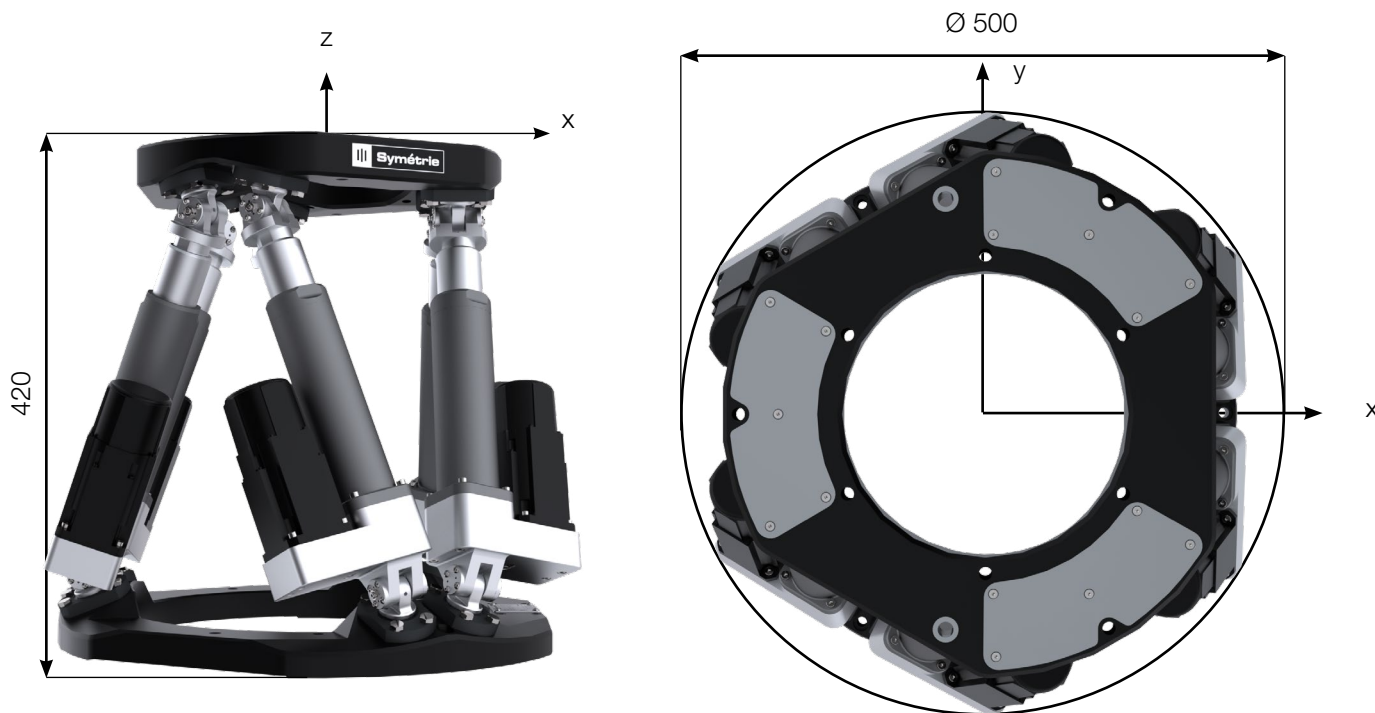


HEGOA hexapod with a drone equipped with a camera to test the reactions of the system during flight movements.

HEGOA	
Motion and positioning	
Travel range Tx, Ty (mm)	± 100
Travel range Tz (mm)	± 50
Travel range Rx, Ry (deg)	± 23
Travel range Rz (deg)	± 30
Speed Tx, Ty, (mm/s)	± 200
Speed Tz (mm/s)	± 120
Speed Rx, Ry, Rz (°/s)	± 50
Acceleration Tx, Ty, Tz (mm/s ²)	± 800
Acceleration Rx, Ry, Rz (°/s ²)	± 200
Mechanical properties	
Payload capacity (kg) (vertical orientation / horizontal orientation)	50 / 15
Motor type	Brushless motor with absolute encoder
Miscellaneous	
Operating temperature range (°C)	+ 10 to + 40
Size mobile platform (mm)	Ø 322
Height in middle position (mm)	420
Mass (kg)	30
Cable length (m)	5
Options	API Real-time trajectory control (ERTT) Acquisition / storage of motions (ACQ) Outdoor
Controller	
Interface	Ethernet
Power supply	110-240 VAC / 50-60 Hz

Datasheet subject to change without notice. All data are superseded by any new release. R221019

The performances are specified for single axis motions, with all other axes at midrange and for a rotation center in the middle of the mobile platform.



Hexapod in middle position